



Institutul Național
de Inventică, Iași

ELECTROMAGNETIC SOURCES FOR MECHANICAL VIBRATIONS TO LIQUIDS TREATMENT

AUTHORS:

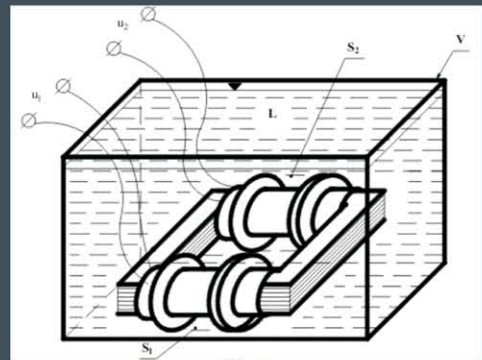
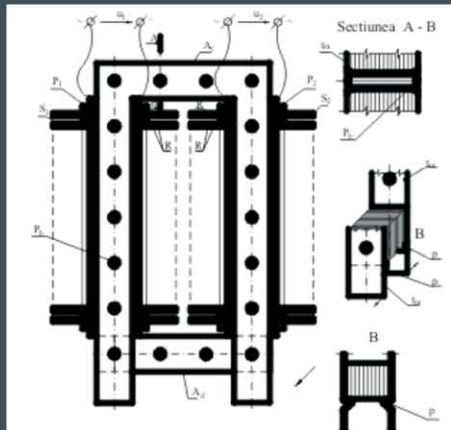
**Doncean Gheorghe, Dangă Mihai, Pleșca Adrian, Leonte Petru,
Ilași Ionela, Nicolaua Marius**

AIM:

The electric energy conversion into magnetic, thermal and mechanical one as vibrations to be used at liquids treatment

SOLUTIONS:

A construction based on single-phase transformer and modular principle in order to achieve a triple conversion of electric energy



ADVANTAGES:

1. modular construction
2. possibility to operate at total mechanical resonance

STAGE:

Project proposal